

SPIR STAR needle valves are made to the highest quality standards and thus achieve high safety and a long service life even when used in difficult operating conditions. The valves can be used with both gaseous and liquid media and can be opened and/or closed in 4 ½ turns.

In this connection, we would like to emphasize that SPIR STAR AG can also offer quick-opening needle valves for which a mere 1 ¾ turns are needed for opening and/or closing. In addition, all SPIR STAR needle valves allow flow in all directions.

Their innovative design reduces vibrations, which eliminates the necessity of an external clamp to fasten the stem. The valves are also provided with relief holes.

The marking on the valves allows them to be traced at any time. In addition, the SPIR STAR needle valves are supplied including collar + gland nut.

Besides hand-operated needle valves SPIR STAR AG also offers pneumatically operated needle valves.

Technical data:

Thread Types:	High-Pressure, Medium-Pressure and NPT
Valve Types:	2-Way Straight Valves, 2-Way Angle Valves, 3-Way Valves (Two inlets under pressure / one inlet under pressure), 3-Way/2-Stem Valves Valves with replaceable seat
Material:	Body: 316 Stainless Steel Stem: 17-4PH Sealing: Glas filled Teflon
Max. Working Pressure:	4.140 bar // 60.000 psi
Temperature:	NPT : -18°C to +204°C HP/MP: -17°C to +315°C

Specials:

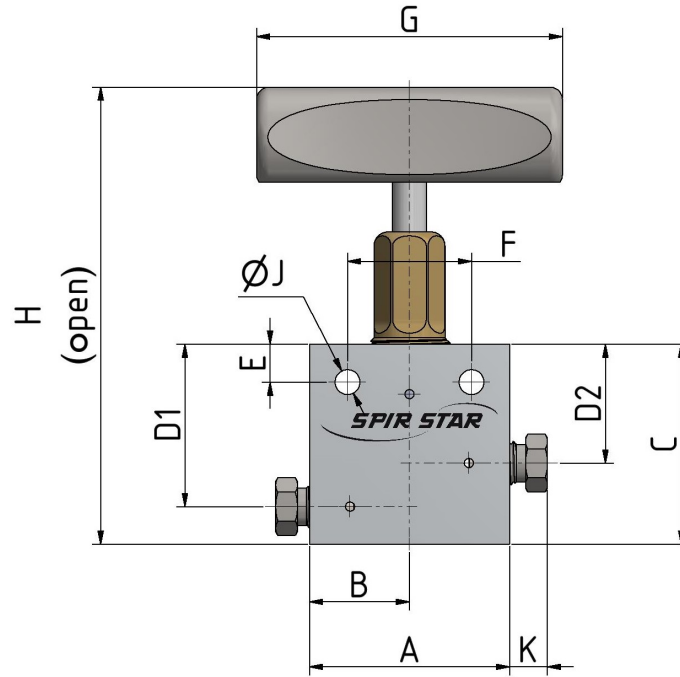
- extreme temperatures
- ultra high pressure valves up to 100.000 psi
- special materials
- pneumatic valves



2-Way-Straight-Needle Valve



Medium-Pressure



Part Number	Thread Description	Tube Thread	Screw-in Thread	Orifice		Repair Kit	Suitable Tubing
				mm	inch		
1.380 bar / 20.000 psi							
SS-NVMF4-20K	MF4	1/4"x28UNF LH	7/16"-20UNF	3,175	0,125	RK-NVMF4/MF6/NF4/NF6	TU-MP4-20K
SS-NVMF6-20K	MF6	3/8"x24UNF LH	9/16"x18UNF	5,080	0,200	RK-NVMF4/MF6/NF4/NF6	TU-MP6-20K
SS-NVMF9-20K	MF9	9/16"x18UNF LH	13/16"-16UNF	7,925	0,312	RK-NVNF8/MF9	TU-MP9-20K
SS-NVMF12-20K	MF12	3/4"x16UNF LH	3/4"x14NPSM	11,125	0,438	RK-NV12	TU-MP12-20K
SS-NVMF16-20K	MF16	1"x14UNF LH	1-3/8"x12UNF	14,275	0,562	RK-NV16	TU-MP16-20K

Part Number	Unit	Dimensions												
		A	B	C	D1	D2	E	F	G	H	I	J	K	L
SS-NVMF4-20K	mm	50,80	25,40	50,80	41,40	30,23	9,65	31,50	76,20	122,94	-	6,35	9,65	25,40
	inch	2,00	1,00	2,00	1,63	1,19	0,38	1,24	3,00	4,84	-	0,25	0,38	1,00
SS-NVMF6-20K	mm	50,80	25,40	50,80	41,40	30,23	9,65	31,50	76,20	122,94	-	6,35	12,19	25,40
	inch	2,00	1,00	2,00	1,63	1,19	0,38	1,24	3,00	4,84	-	0,25	0,48	1,00
SS-NVMF9-20K	mm	63,50	31,75	73,15	60,45	44,45	12,70	35,05	102,00	138,68	-	8,64	17,27	25,40
	inch	2,50	1,25	2,88	2,38	1,75	0,50	1,38	4,02	5,46	-	0,34	0,68	1,00
SS-NVMF12-20K	mm	76,20	38,10	95,25	76,20	57,15	15,75	44,45	204,98	179,58	-	11,18	14,99	35,05
	inch	3,00	1,50	3,75	3,00	2,25	0,62	1,75	8,07	7,07	-	0,44	0,59	1,38
SS-NVMF16-20K	mm	104,65	52,32	120,65	95,25	71,63	28,45	63,50	261,37	227,58	-	14,22	18,80	44,45
	inch	4,12	2,06	4,75	3,75	2,82	1,12	2,50	10,29	8,96	-	0,56	0,74	1,75