

SPIR STAR needle valves are made to the highest quality standards and thus achieve high safety and a long service life even when used in difficult operating conditions. The valves can be used with both gaseous and liquid media and can be opened and/or closed in 4 ½ turns.

In this connection, we would like to emphasize that SPIR STAR AG can also offer quick-opening needle valves for which a mere 1 ¾ turns are needed for opening and/or closing. In addition, all SPIR STAR needle valves allow flow in all directions.

Their innovative design reduces vibrations, which eliminates the necessity of an external clamp to fasten the stem. The valves are also provided with relief holes.

The marking on the valves allows them to be traced at any time. In addition, the SPIR STAR needle valves are supplied including collar + gland nut.

Besides hand-operated needle valves SPIR STAR AG also offers pneumatically operated needle valves.

Technical data:

Thread Types:	High-Pressure, Medium-Pressure and NPT
Valve Types:	2-Way Straight Valves, 2-Way Angle Valves, 3-Way Valves (Two inlets under pressure / one inlet under pressure), 3-Way/2-Stem Valves Valves with replaceable seat
Material:	Body: 316 Stainless Steel Stem: 17-4PH Sealing: Glas filled Teflon
Max. Working Pressure:	4.140 bar // 60.000 psi
Temperature:	NPT : -18°C to +204°C HP/MP: -17°C to +315°C

Specials:

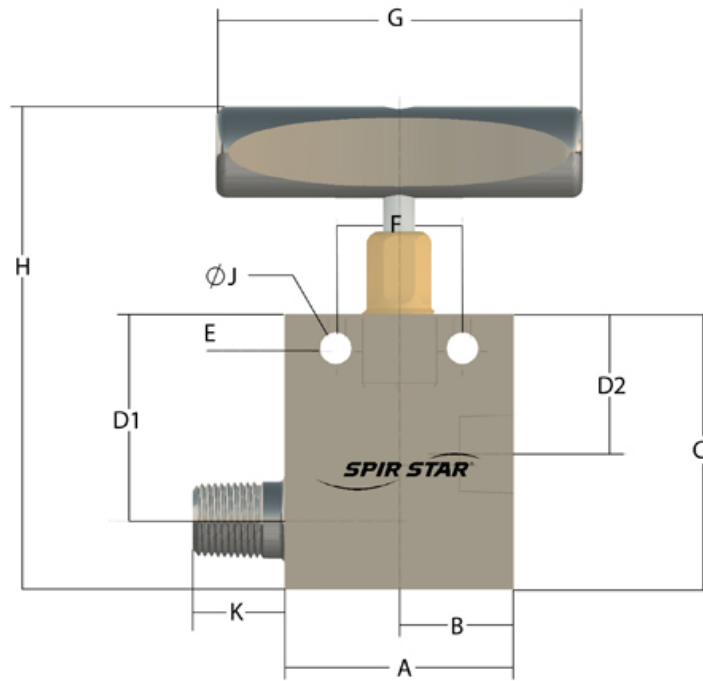
- extreme temperatures
- ultra high pressure valves up to 100.000 psi
- special materials
- pneumatic valves



2-Way-Straight-Needle Valve



NPT Female x Male



Part Number	Thread Descr. Left	Tube Thread Left	Screw-in Thread Left	Thread Descr. Right	Tube Thread Right	Screw-in Thread Right	Orifice	
							mm	inch
1.035 bar / 15.000 psi								
SS-NVNF8NM8-15K	NF8		1/2"	NM8		1/2"	7,900	0,311

Part Number	Unit	Dimensions												
		A	B	C	D1	D2	E	F	G	H	I	J	K	L
SS-NVNF8NM8-15K	mm	88,90	25,40	76,20	56,90	38,10	9,40	35,05	101,60	141,66	-	8,73	25,40	-
	inch	3,50	1,00	3,00	2,24	1,50	0,37	1,38	4,00	5,58	-	0,34	1,00	-