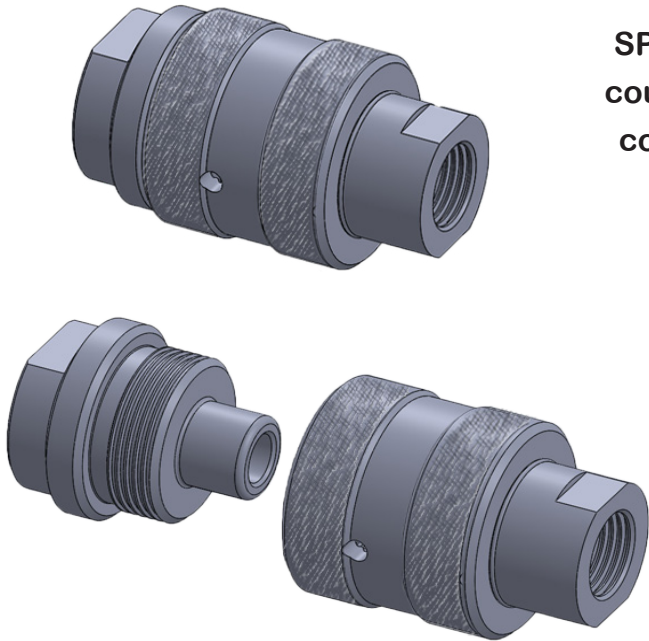




Quick Disconnect Hose Couplings

Screw-Type Hose Couplings: 12,000 psi - 20,000 psi MAWP



SPIR STAR screw-type quick disconnect hose couplings are designed for easy-to-use manual connection of hoses and other high pressure fluid control components.

- Connection configurations include 1/4", 3/8", 1/2", 3/4", 1", NPT and 9/16" Medium Pressure thread profiles.
- Replaceable seal kits available.
- Stainless steel construction.

Part Number	Connection	MAWP (psi)	Orifice (inch)
CQD-04-SET	1/4" NPT Female	15,000	.315"
CQD-06-SET	3/8" NPT Female	15,000	.435"
CQD-08-SET	1/2" NPT Female	15,000	.441"
CQD-12-SET	3/4" NPT Female	15,000	.625"
CQD-16-SET	1" NPT Female	12,000	.815"
CQD-MP9-SET	9/16" Medium Pressure Female	20,000	.315"

Specialists in High Pressure

10002 Sam Houston Center Drive | Houston, TX 77064

Phone: 281-664-7800 | Email: sales@spirstar.com | Toll Free: 800-890-7827

www.spirstarvalves.com | www.spirstar.com

